

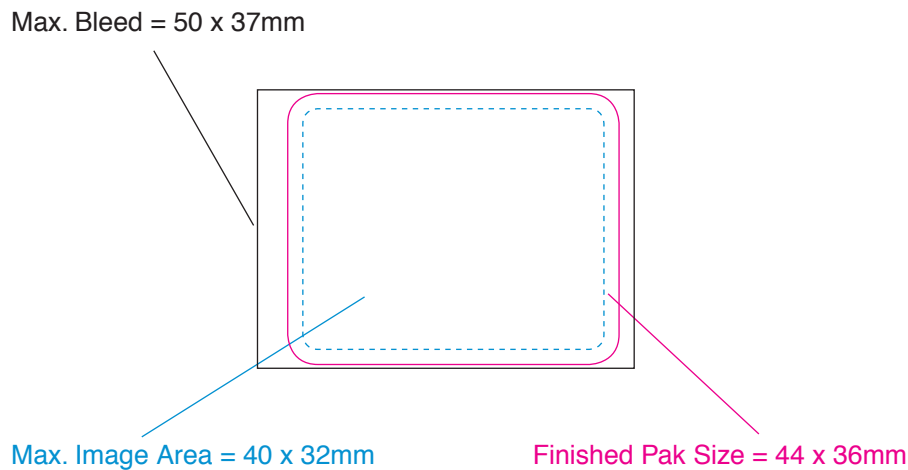


A SnapPak Logo is to appear somewhere on the printed face.

Snap Pak Global Limited

37 Coronation Road, Waiuku,
Auckland, New Zealand
www.snappak.co.nz

SizeA SnapPak Artwork Specifications



Design

1. Preferred software: Illustrator CS2, InDesign CS2 or versions below.
2. Labels will be digital printed with CMYK. PMS colours will be converted to CMYK for printing.
The above does not apply if the SnapPak is designed in spot colours.
3. When artwork is completed please email a PDF file for approval. We will notify you if the design is suitable for the method of printing employed. Should the design increase the estimated production cost you will be advised by us.

Finished Art

4. Finished art to be supplied digitally in its native format with all links etc. enclosed. Fonts should be outlined (changed to paths) to prevent font clashes, plus enclose a PDF for visual checking purposes.
5. Please Email your final artwork to info@snappak.co.nz. Please ensure it conforms to the specifications as detailed in Item 2.
6. Laser colour proof must accompany all orders.
7. Please include details of the contact person, telephone number and email address.